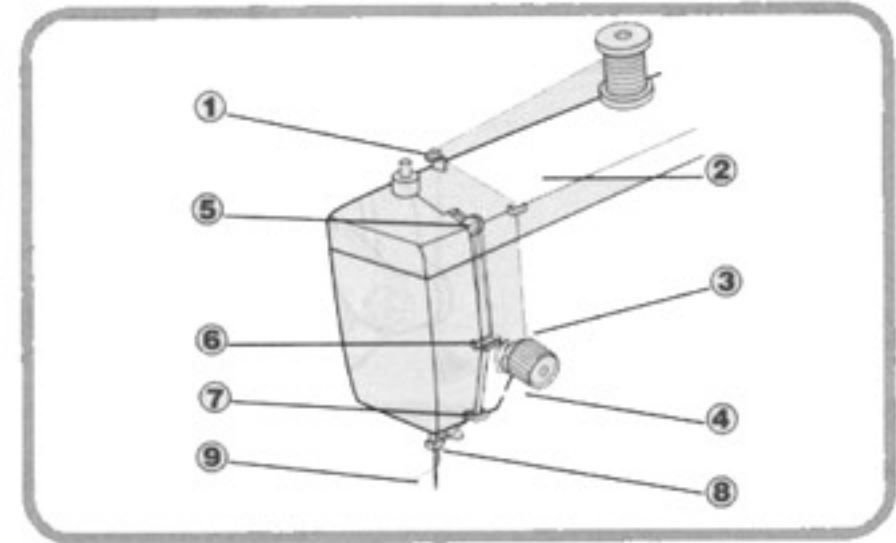
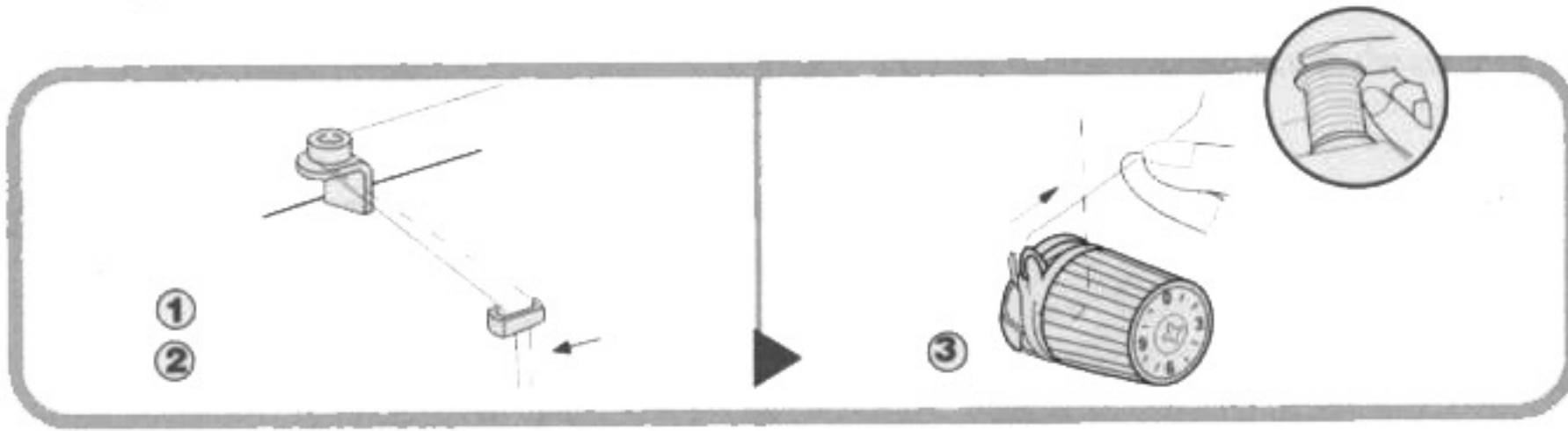


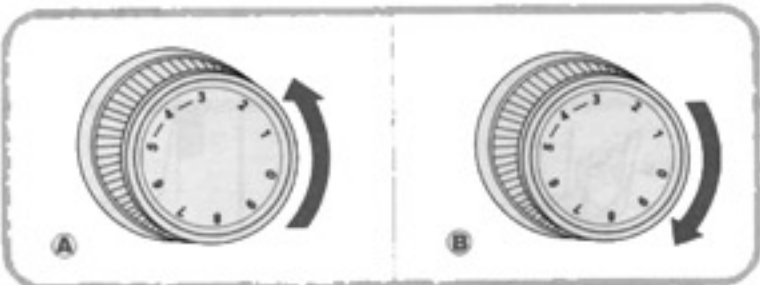
PREPARE YOUR MACHINE FOR SEWING

Threading the Needle Thread

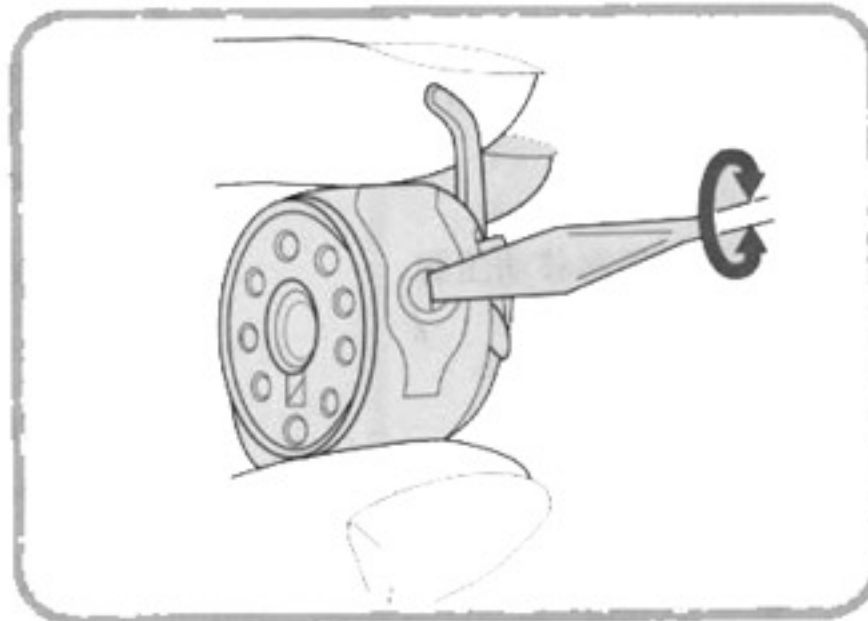


- 1 Place spool on spool pin as shown, with thread coming from the back of the spool.
- 2 Draw thread through top thread guides. Holding spool stationary with right hand, pull the end of the thread between the tension discs as shown above.
- 3 Pull the end of the thread taut with left hand. This will pull the spring wire up and past the end of the hook. The thread will then slip into the hook when the spring is released as in.
- 4 Release spool of thread and thread machine through take-up lever (5) and thread guide (6) as shown above.
- 5 Thread then passes through guides (7) and (8) Thread needle (9) from front to rear.

Regulating the Thread Tension

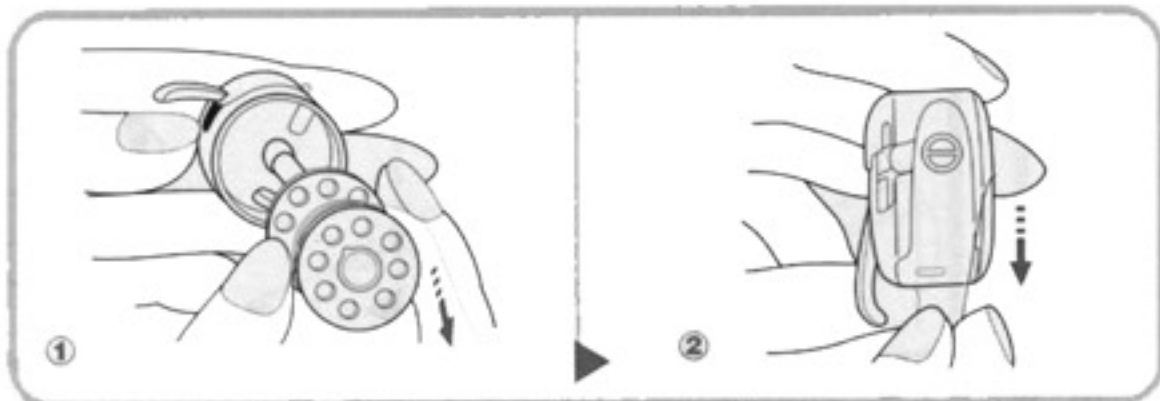


- If the needle thread is too tight, adjust as shown in illustration A.
 If the needle thread is too loose, adjust as shown in illustration B.

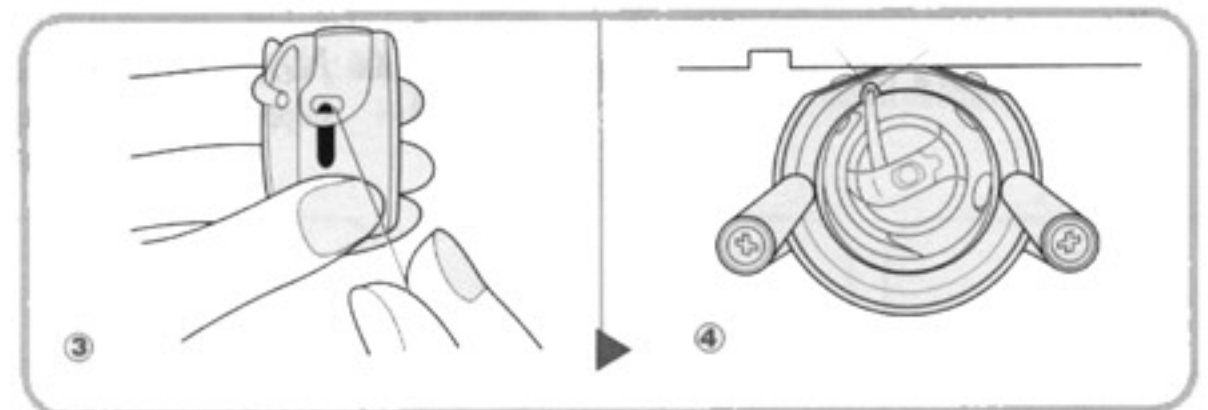


If regulating the thread tension can not make the needle thread and the bobbin thread interlock in the center of two layers of fabrics, you can try to adjust the bobbin thread tension. To increase tension, turn screw according to the illustration. To decrease tension, turn screw in opposite direction.

Threading the Bobbin Case

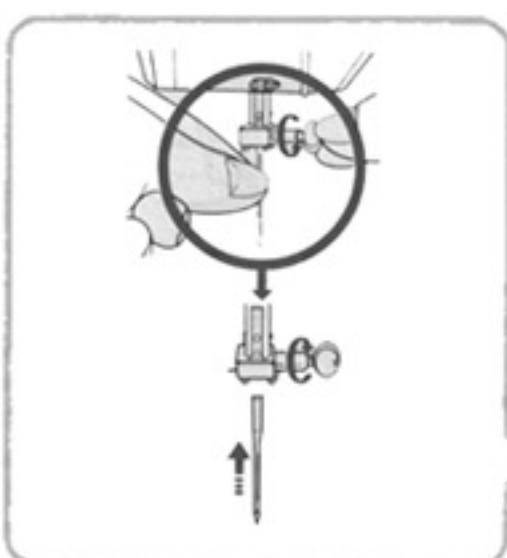


- 1 Hold the bobbin between the thumb and forefinger of your right hand and pull off about 10 cm of thread.
- 2 Pull the thread into the slot in the edge of the bobbin case.



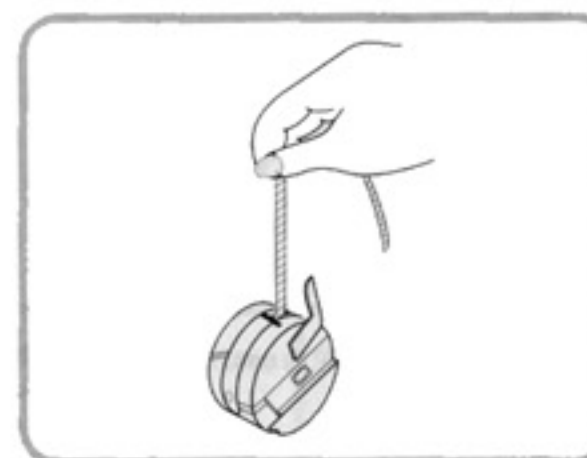
- 3 Now pull the thread under the tension spring and into the thread eyelet.
- 4 Turn the wheel until the needle is at its highest position. Open the latch of bobbin case. Slip the bobbin case over the center pin of hook and press in place until long finger of the bobbin case enters notch.

Changing the Needle



- 1 Turn the balance wheel towards you until the needle is at its highest position.
- 2 Loosen the needle clamp screw by turning its top edge toward you. Remove the needle from the clamp.
- 3 Place the new needle into the needle clamp with its flat side facing away from you. Push the needle up into needle clamp as far as possible.
- 4 Check your needles frequently. The needle must be flat and sharp

Regulating the Thread Tension



The tension is fitting as shown in the illustration: Catch the thread, the bobbin case can freely fall 3-4 centimeter.

To obtain better zigzag stitches, the needle thread tension should be slightly weaker than in the case of straight sewing. The needle thread should appear slightly on the reverse side of the fabric.