

STEAM PRESS STAND

ASSEMBLY INSTRUCTIONS



PRODUCT SPECIFICATIONS

Item	Description
Product Compatibility	For use with FP202 Series Electronic Steam Press (Sold Separately)
Overall Dimensions	37-1/8" High x 18-1/8" Wide x 22-1/4" Long
Steam Press Platform Dimensions	15-3/4" Long x 11-3/8" Wide x .112" Thick
Unit Weight	19.90 Pounds

SAVE THIS MANUAL

You will need this manual for the safety warnings and precautions, assembly, operating, inspection, maintenance and cleaning procedures, parts list and assembly diagram. Keep your invoice with this manual. Write the invoice number on the inside of the front cover. Keep this manual and invoice in a safe and dry place for future reference.

UNPACKING

When unpacking, check to make sure all the parts shown in the **Parts List on page 8** are included.

GENERAL SAFETY RULES

WARNING!


READ AND UNDERSTAND ALL INSTRUCTIONS
Failure to follow all instructions detailed in this manual may result in serious personal injury.

SAVE THESE INSTRUCTIONS

WORK AREA

1. **Keep your work area clean and well lit.** Cluttered and dark work areas invite accidents.
2. **Keep bystanders, children, and visitors away while using the Compression Tester.** Distractions can cause you to lose control.

PERSONAL SAFETY

3. **Stay alert.** Watch what you are doing, and use common sense during use. Do not use this product while tired or under the influence of drugs, alcohol, or medication. A moment of inattention while operating this product may result in serious personal injury.
4. **Dress properly.** Do not wear loose clothing or jewelry. Contain long hair. Keep your hair and clothing away from moving parts. Loose clothes, jewelry, or long hair can be caught in moving parts.
5. **Do not overreach.** Keep proper footing and balance at all times. Proper footing and balance enables better control in unexpected situations.
6.  **Always wear eye protection.** Wear ANSI approved safety impact goggles when assembling this product.

PRODUCT USE AND CARE



7. **Store this product out of reach of children and other untrained people.** Appliances and accessories can be dangerous in the hands of untrained users.
8. **Maintain the Steam Press Stand with care.** Keep this product clean. Properly maintained products are easier to control. Do not use damaged products. Tag damaged products "Do not use" until repaired.
9. **Check for misalignment or binding of moving parts, loose or broken parts, and any other condition that may affect the Steam Press Stand's operation.** If damaged, have the product serviced before using. Many accidents are caused by poorly maintained products.
10. **Use only accessories that are recommended by the manufacturer for your model.** Accessories that may be suitable for one product may become hazardous when used on another product.

SERVICE

11. **Product service must be performed only by qualified service technician.** Service or maintenance performed by unqualified personnel could result in a risk of injury.
12. **When servicing the Steam Press Stand, use only identical replacement parts.** Follow instructions in the "*Inspection, Maintenance, And Cleaning*" section

of this manual. Use of unauthorized parts or failure to follow maintenance instructions may create a risk of injury.

SPECIFIC SAFETY RULES

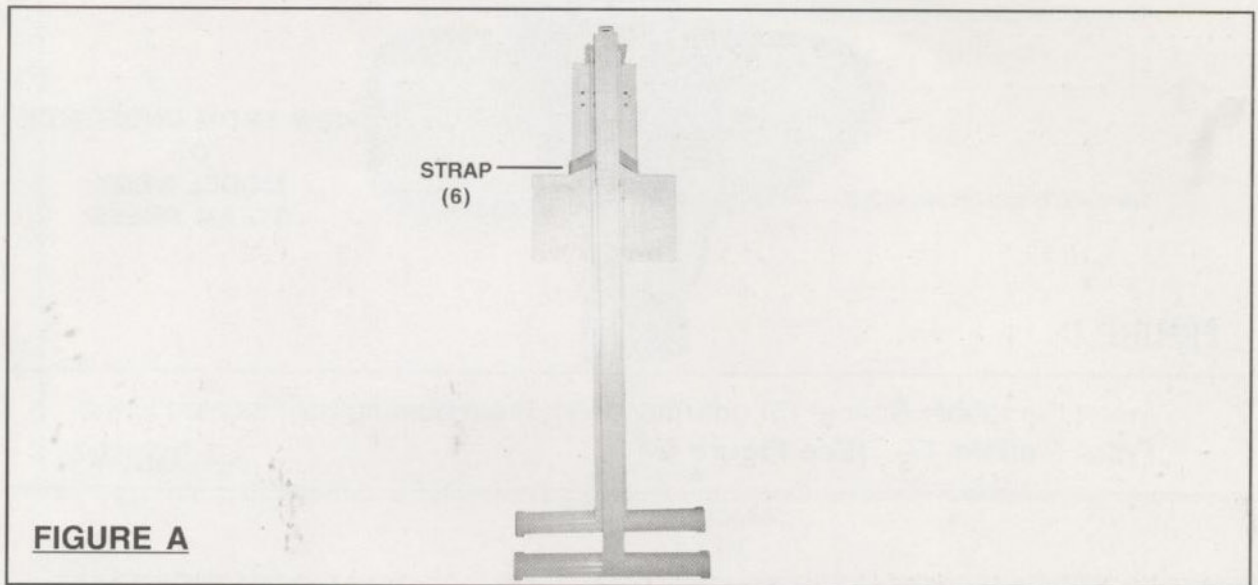
1. **This Steam Press Stand is designed for use *only* with Steam Press.**
2.  **Prior to using this product, make sure to read and understand all instructions and safety precautions as outlined in the FP202 Series Steam Press instruction manual.**
3. **When using this product, always make sure to place the Steam Press Stand on a dry, flat, level floor surface capable of supporting the weight of the Steam Press Stand, model FP202 Steam Press, and any other accessories.**
4. **Maintain labels and nameplates on the Steam Press Stand.** These carry important information. If unreadable or missing, contact Harbor Freight Tools for a replacement.
5. **Use the right product for the job.** There are certain applications for which this product was designed. Do not use this product for a purpose for which it was not intended.
6. **Never sit or stand on the Steam Press Stand.** The unit could tip, causing serious personal injury.
7. **Always make sure the Safety Latch (3) is secured in place when using the Steam Press Stand.**
8. **This product is designed for household indoor use only.**
9. **Position the Steam Press Stand away from areas of high foot traffic to lessen the chance of the Stand being bumped and tipping over.**
10.  **WARNING!** The warnings and cautions discussed in this manual cannot cover all possible conditions and situations that may occur. It must be understood by the operator that common sense and caution are factors which cannot be built into this product, but must be supplied by the operator.

ASSEMBLY INSTRUCTIONS

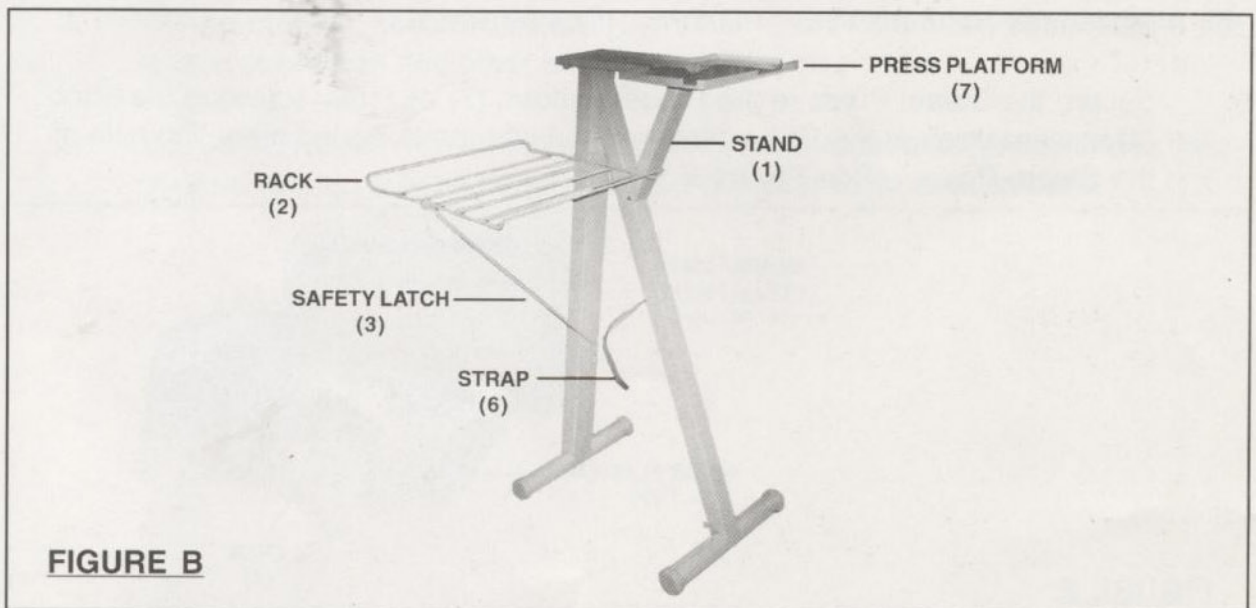
1. Remove the Steam Press Stand from its packaging. Then, stand the unit in its

upright position. (See Figure A.)

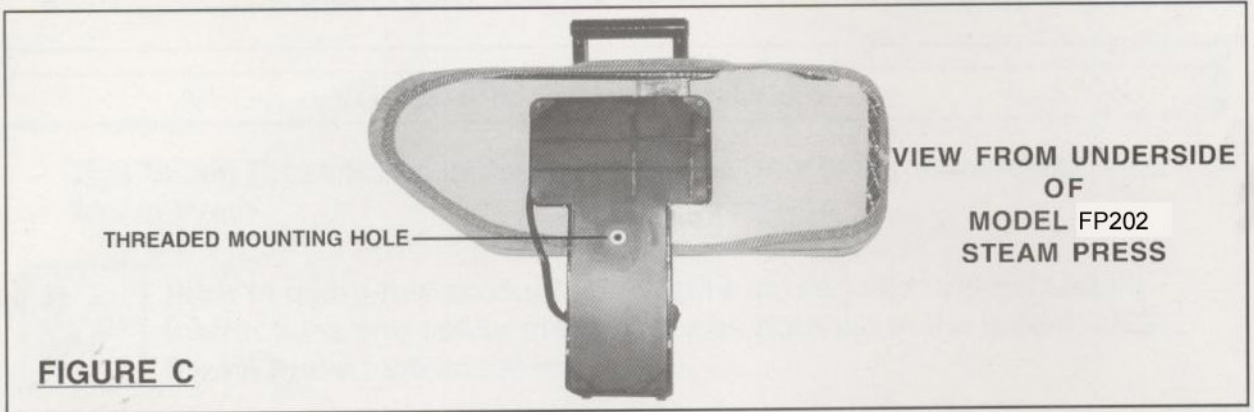
2. Unhook the Strap (6) used for storing the unit. (See Figure A.)



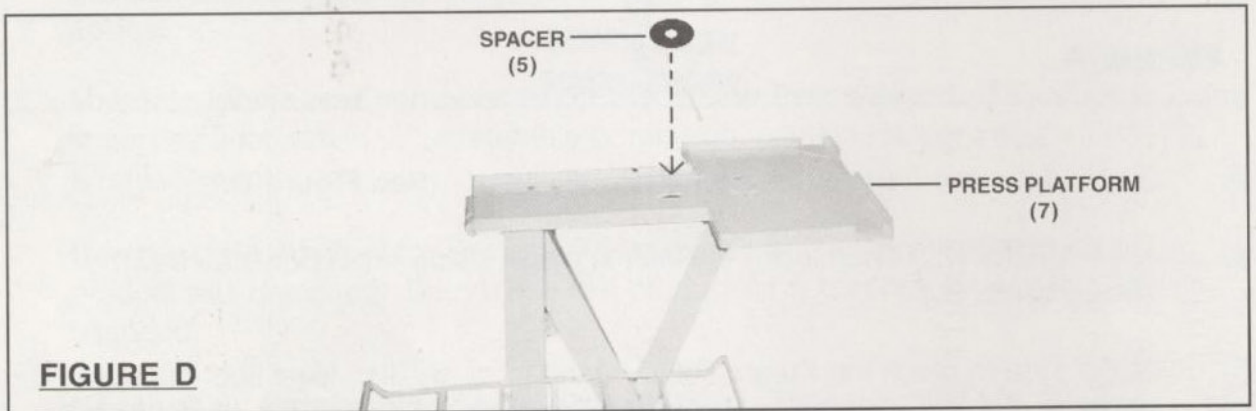
3. Expand the two Legs of the Stand (1) fully apart. (See Figure B.)
4. Lift the Rack (2). Then lock the Rack in place, using the Safety Latch (3). (See Figure B.)
5. Make sure to place the Steam Press Stand on a dry, flat, level floor surface capable of supporting the weight of the Steam Press Stand, the model FP202 Steam Press, and any accessories. (See Figure B.)



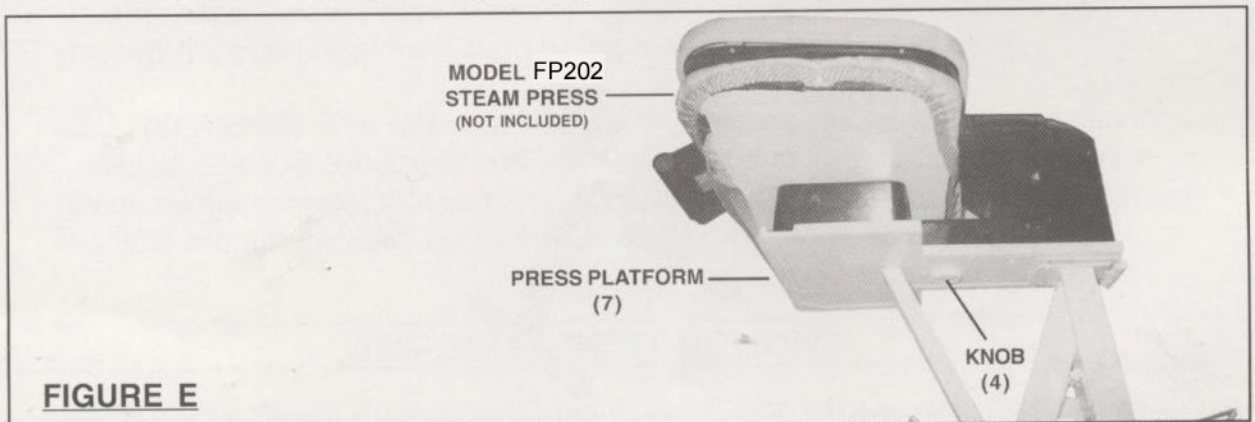
6. On the underside of the model FP202 Steam Press is a plastic Plug. Remove the plastic Plug to expose a threaded mounting hole. **(See Figure C.)**



7. Insert the rubber Spacer (5) downward into the mounting hole located in the Press Platform (7). **(See Figure D.)**



8. With assistance, set the model FP202 Steam Press on the Press Platform (7). Align the threaded mounting hole on the underside of the Steam Press with the mounting hole in the Press Platform. **(See Figure E.)**
9. Secure the Steam Press to the Press Platform (7) by firmly screwing the Knob (4) upward through the Press Platform and into the threaded mounting hole of the Steam Press. **(See Figure E.)**



10. The Steam Press Stand is now ready for use.



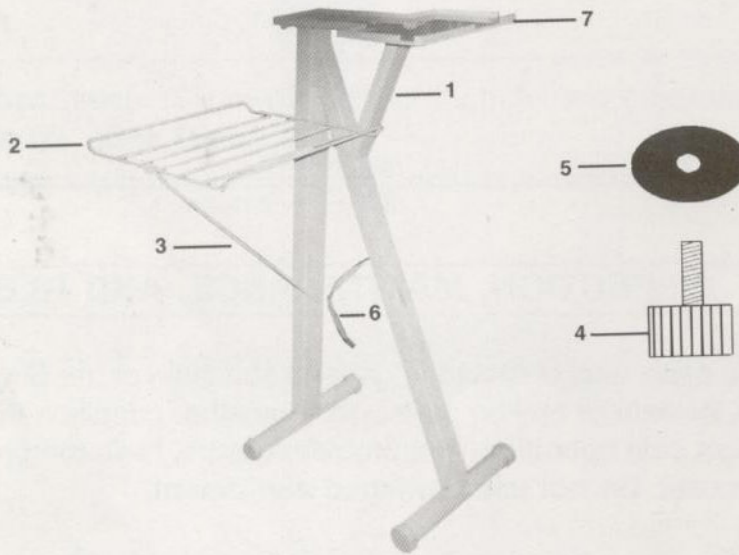
FIGURE F

INSPECTION, MAINTENANCE, AND CLEANING

1. **Before each use**, inspect the general condition of the Steam Press Stand. Check for bent or broken parts, and any other condition that may affect the product's safe operation. If a problem occurs, have the problem corrected before further use. **Do not use damaged equipment.**
2. **To clean**, use a damp cloth and a mild detergent. Do not use solvents as damage to the product will occur.
3. **When storing**, keep the Steam Press Stand in a clean, dry, safe location out of reach of children and other unauthorized people.
4. **⚠ CAUTION!** All maintenance, service, and repairs not discussed in this manual should only be performed by a qualified service technician.

PARTS LIST AND ASSEMBLY DIAGRAM

Part #	Description	Qty.
1	Stand	1
2	Rack	1
3	Safety Latch	1
4	Knob	1
5	Spacer	1
6	Strap	1
7	Press Platform	1



NOTE:

Some parts are listed and shown for illustration purposes only, and are not available individually as replacement parts.

PLEASE READ THE FOLLOWING CAREFULLY

THE MANUFACTURER AND/OR DISTRIBUTOR HAS PROVIDED THE PARTS LIST AND ASSEMBLY DIAGRAM IN THIS MANUAL AS A REFERENCE TOOL ONLY. NEITHER THE MANUFACTURER OR DISTRIBUTOR MAKES ANY REPRESENTATION OR WARRANTY OF ANY KIND TO THE BUYER THAT HE OR SHE IS QUALIFIED TO REPLACE ANY PARTS OF THE PRODUCT. IN FACT, THE MANUFACTURER AND/OR DISTRIBUTOR EXPRESSLY STATES THAT ALL REPAIRS AND PARTS REPLACEMENTS SHOULD BE UNDERTAKEN BY CERTIFIED AND LICENSED TECHNICIANS, AND NOT BY THE BUYER. THE BUYER ASSUMES ALL RISKS AND LIABILITY ARISING OUT OF HIS OR HER REPAIRS TO THE ORIGINAL PRODUCT OR REPLACEMENT PARTS THERETO, OR ARISING OUT OF HIS OR HER INSTALLATION OF REPLACEMENT PARTS THERETO.